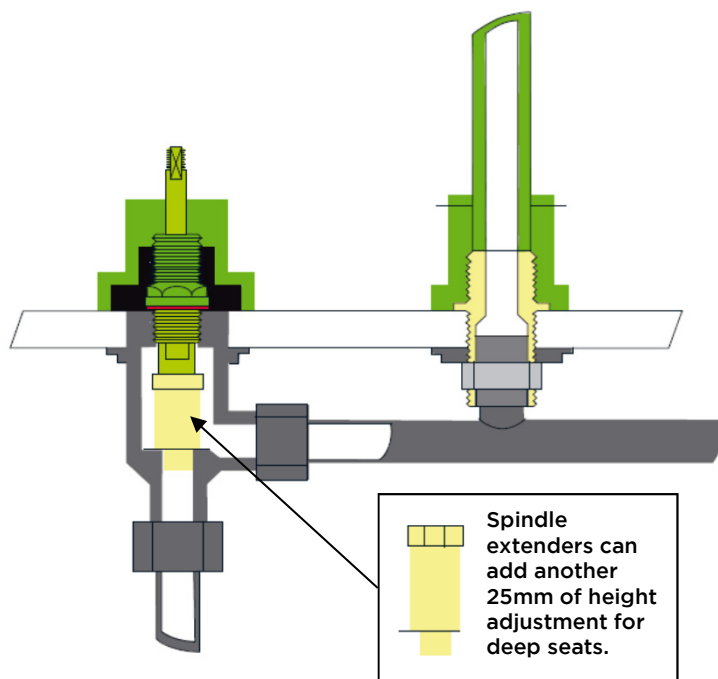




EZYFIX Ceramic Disc Mid-depth Tap Seat Raiser 19mm EF1006 (Registered Design 339629)

How to use our deep seat extenders.

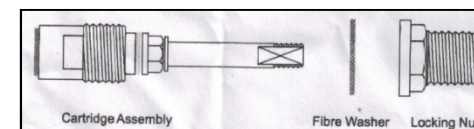


Tap Install:

Step 1. Remove only the old handles, flanges and spindles. Leaving in place the existing basin tap bodies.

Step 2. Compare the depth of the removed spindles against your new ones. If required insert the Spindle Extender. If deeper we also make a 25mm version.

Step 3. Disassemble the new spindle ensuring that the locking nut is removed from the ceramic cartridge as illustrated below.



Step 4. Install the ceramic cartridge into the tap body by hand until it seals against the tap seat. Use a spanner to securely install but **DO NOT OVERTIGHTEN.**

Step 5. Firmly screw on the locking nut with fibre washer. Re-dress the tapware.

Got questions? Call us on 1300 399 349 or visit ezyfix.com.au

